

APPLICATION:

PRODUCT NAME:
 SWIVEL GOOSENECK SPOUT ASSEMBLY

JOB NAME:

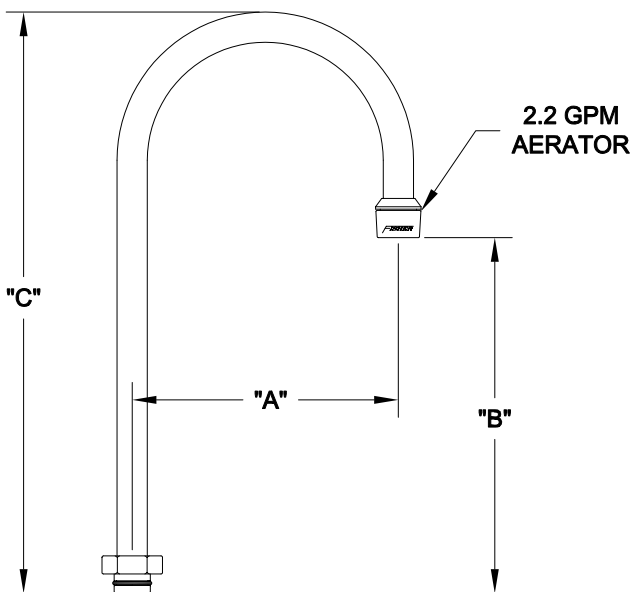
_____ SPECIAL CONFIGURATION
 _____ CHECK BASE MODEL AND OPTIONS

QUANTITY:

ITEM NO.

MODEL:
 3965 12" SWIVEL GOOSENECK SPOUT
 3968 6" SWIVEL GOOSENECK SPOUT

OPTIONS OR MODIFICATIONS:
 OTHER _____



FEATURES

* 2.2 GPM AERATOR

SYSTEM LIMITS

- * TEMP: 40°F MIN. TO 140°F MAX.
- * PRESSURE: 200 PSI MAX. STATIC

SHIPPING WEIGHT

* 0.75 LBS

MODEL	DIM "A"	DIM "B"	DIM "C"
3965	5-1/2" [140mm]	7-3/8" [187mm]	12" [304mm]
3968	3-1/2" [89mm]	3-3/8" [86mm]	7" [180mm]



FISHER MANUFACTURING COMPANY
 TOLL FREE: 800-421-6162 - FAX: 800-832-8238
 information@fisher-mfg.com - www.fisher-mfg.com